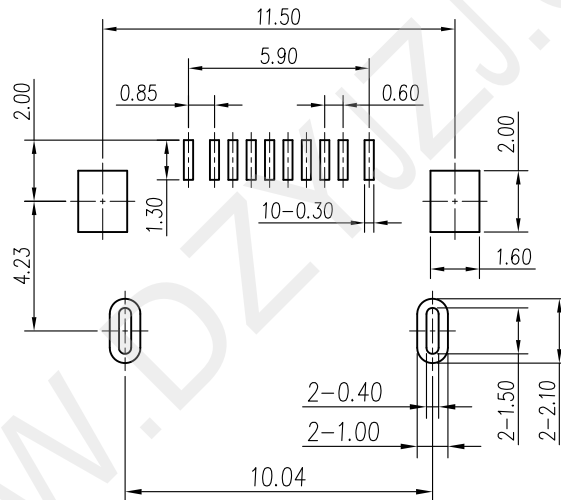
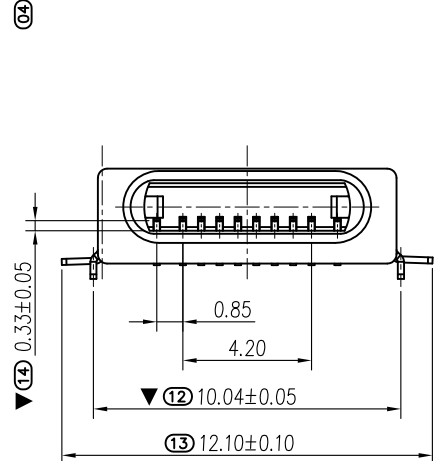


PIN NO.	NAME	PIN NO.	NAME
1	GND	7	DP2
2	DP1	8	ACC2
3	DN1	9	DETECT1
4	ACC1	10	DETECT2
5	PWR IN	Shell	GND
6	DN2		

Specification:

- Electrical Characteristics:
 Contact Current Rating: 1.5 Amperes Max.
 Rated Voltage: 30V Max.
 Dielectric Withstanding Voltage: AC 500V r.m.s.
 Insulation Resistance: 100 MΩ Minimum.
 Contact Resistance: 50 mΩ Maximum.
- Environmental:
 Operating Temperature: -25°C~+85°C.
- Mechanical Characteristics:
 Insertion Force: 15Nf Max.
 Withdrawal Force: 3Nf Min.
 Durability Cycles: 5000 Cycles.
- ⊗ Make is FAI test Dimension
 ▼ Make is major test Dimension

4	CONTACT	Copper Alloy; AuNiSn; T=0.20mm;
3	LATCH	Stainless Steel; SUS304, T=0.30mm;
2	HOUSING	LCP Thermoplastic, UL94V-0;
1	SHELL	Stainless Steel; SUS304, T=0.20mm;
NO.	NAME	DESCRIPTION



RECOMMENDED P.C.B HOLE LAYOUT
 COMPONENT SIDE VIEW (TOLERANCE: +/-0.05)



深圳市华宇创精密电子有限公司

TOLERANCE: X.X ±0.30 X.XX ±0.25 X.XXX ±0.15 X' ±2' X.X' ±0.5'	DRAWN BY : 陈一鸣	DATE : 2014-02-23	PART NAME: 15 母座板上型
	CHECKED BY : 马跃	DATE : 2014-02-23	PART NO. : HYC09-IP0D10-310
UNIT: mm [inch] SCALE:1:1 SIZE: A4	APPROVED BY : 邱国夷	DATE : 2014-02-23	DRAW NO. : HYC-IP17110615
			SHEET NO. : 1 OF 1